



**Model CT30G
30" Gas Cooktop**

The patented dual-stacked burner design of Wolf gas cooktops uses its upper-level burner for maximum heat transfer. Merely turn down the knob and the lower-tier burners delivers fine-tuning control and True Simmer. The sealed burners and deep recess of the seamless drawn pan make clean up a snap.



Model CT30G with classic stainless steel finish.

Features

- Available in natural and LP gas
- Stainless steel top construction, available in classic and platinum stainless steel finishes
- Four dual-stacked, sealed burners with automatic reignition on all settings
- One large 15,000 Btu/hr sealed burner with 800 Btu/hr delivered at simmer
- One medium 12,000 Btu/hr sealed burner with 800 Btu/hr delivered at simmer
- Two small 9,200 Btu/hr sealed burners with 300 Btu/hr delivered at simmer
- Individual spark ignition system
- True Simmer setting on all burners
- Illuminated control panel with two-tiered control knobs
- Low-profile cast iron continuous burner grates with matte porcelain finish
- Seamless drawn burner pan

Model Options

Model Options	CT30G/S	CT30G/P	CT30G/S-LP	CT30/P-LP
Stainless Steel Finish	Classic	Platinum	Classic	Platinum
Type of Gas	Natural	Natural	LP	LP

Accessories

- Filler strip for installation of multiple cooktops or modules
- One-piece wok grate and single burner grate
- High altitude conversion kit



Model CT30G

Accessories are available through your Wolf dealer. To obtain local dealer information, visit the Showroom Locator section of our website, wolfappliance.com.

 This appliance is certified by Star-K to meet strict religious regulations in conjunction with specific instructions found on www.star-k.org.

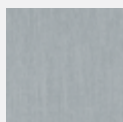
Dual-Stacked Burners



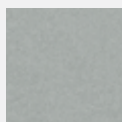
Melt Setting



Full-Flame Setting



Classic

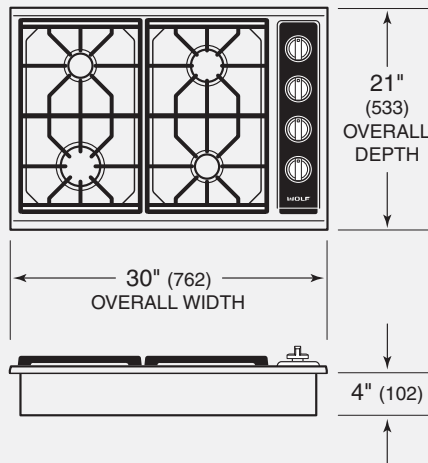


Platinum



**Model CT30G
30" Gas Cooktop**

Overall Dimensions

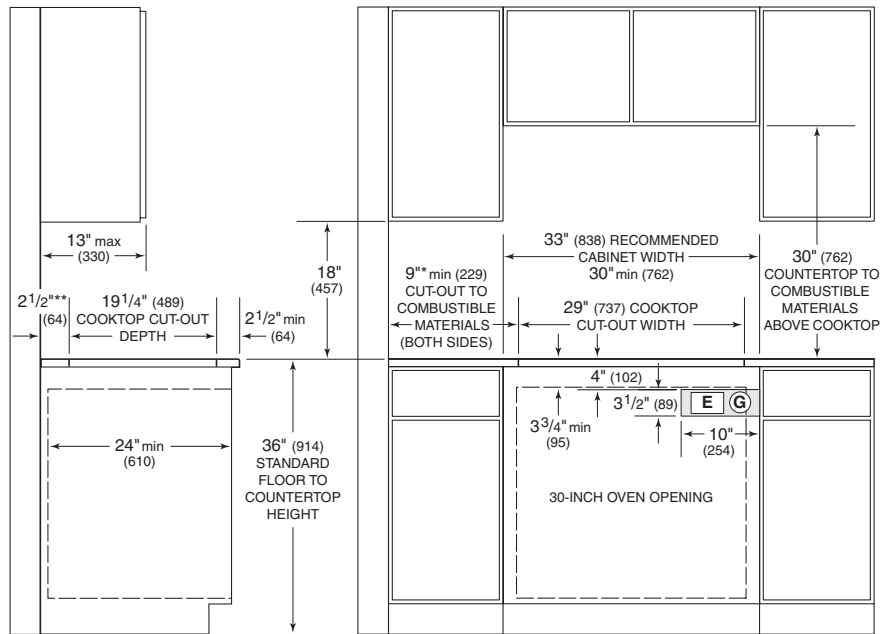


Unit dimensions may vary by $\pm 1/8"$.

Specifications

Overall Width	30"
Overall Height	4"
Overall Depth	21"
Burner Rating	
(1) 15,000 Btu/hr with 800 Btu/hr delivered at simmer	
(1) 12,000 Btu/hr with 800 Btu/hr delivered at simmer	
(2) 9,200 Btu/hr with 300 Btu/hr delivered at simmer	
Recommended Cabinet Width	33"
Minimum Cabinet Width	30"
Minimum Cabinet Depth	22 ³ / ₄ "
Minimum Height Clearance	4"
Countertop Cut-Out Width	29"
Countertop Cut-Out Depth	19 ¹ / ₄ "
Electrical Requirements	120 V AC, 60 Hz 15 amp circuit
Power Cord	6' cord with grounded plug
Gas Rating	45,400 Btu/hr
Shipping Weight	50 lbs

Installation Specifications

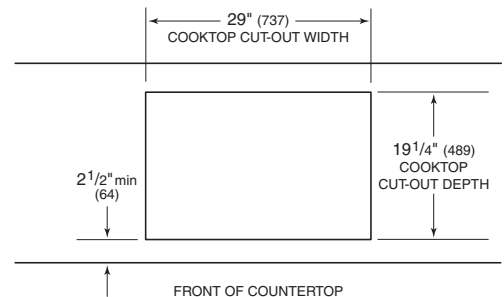


*Minimum clearance from both side edges of cooktop cut-out to combustible materials up to 18" (457) above countertop.
 **Minimum clearance from rear edge of cooktop cut-out to combustible materials up to 18" (457) above countertop.

Installation Notes

A Wolf 30" built-in single oven may be installed below the 30" gas cooktop. Refer to specifications for built-in ovens.
 Complete installation specifications can be found on our website, wolfappliance.com.

Countertop Cut-Out Dimensions



Dimensions in parentheses are in millimeters unless otherwise specified.